



SYSTIMAX[®] VisiPatch[®] 360 system

A revolution in patching

COMMSCOPE[®]

What if...

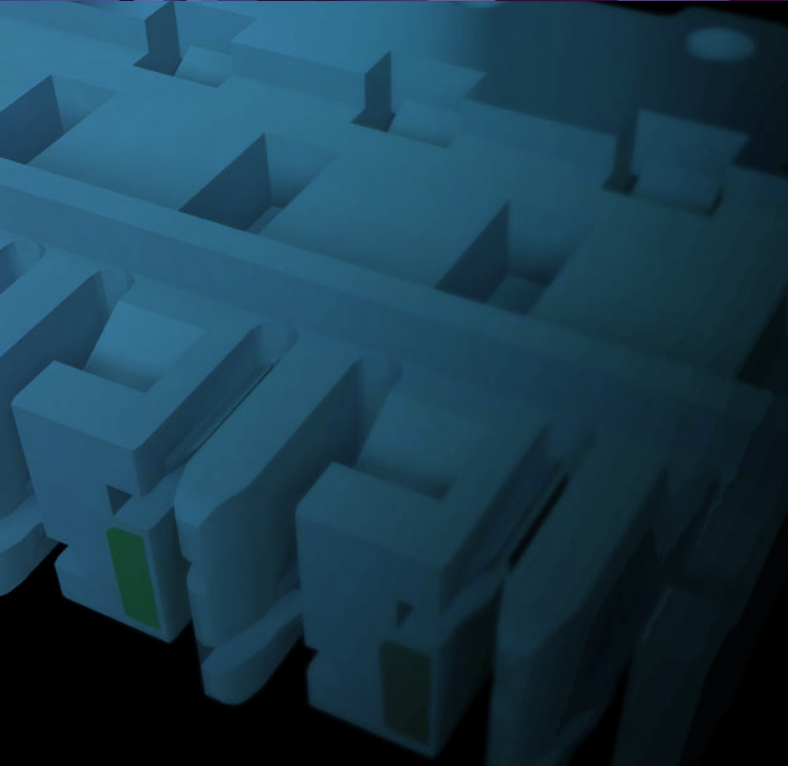
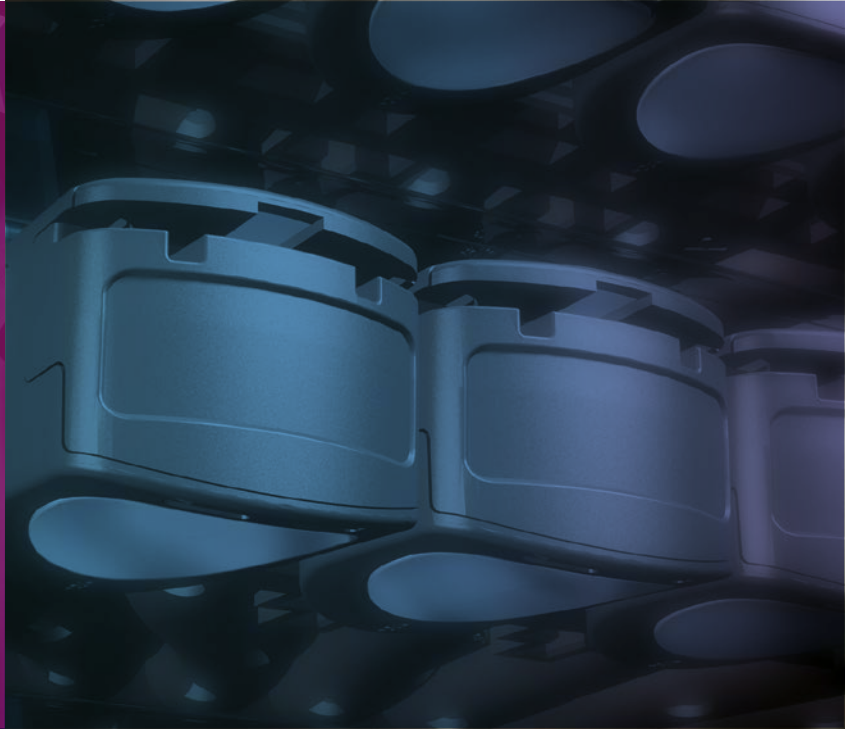
- you could add a whole new dimension to your communications room?
- a patching system could save you time, space and money?
- you could experience performance in a whole new way?

It's possible.



Introducing the
SYSTIMAX®
VisiPatch® 360 System

**It's a revolution
in patching.**



Change how you view performance

It's more than bandwidth.
It's more than speed.
It's more than product reliability.

CommScope, through its SYSTIMAX® brand, has always been dedicated to understanding the user experience, listening to our customers' concerns and needs, analyzing how we can help improve efficiency. And after exhaustive research, we've developed a whole new approach that holistically integrates form, function and usability to deliver true performance.

We call it our 360° design philosophy

—an approach that redefines performance from every angle. It combines breakthrough technology with radical design innovation. The result is a whole new approach to network infrastructure solutions.

The first result of this new philosophy is a new generation of patching systems—the SYSTIMAX VisiPatch® 360 System, which seamlessly incorporates patching and integrated cable management to deliver an ergonomically designed and aesthetically pleasing solution that saves you time, space and money.

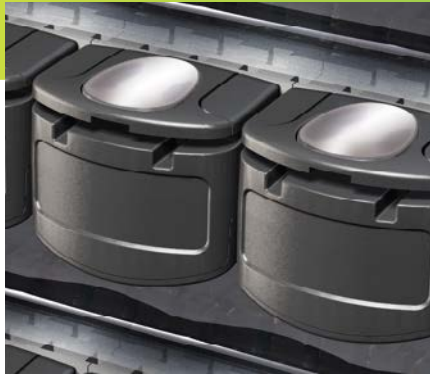
A revolutionary difference

The unique reverse patching technology the VisiPatch 360 System employs improves cord management and reduces the “spaghetti” cord clutter of poorly installed RJ-45 systems. The reduced clutter is both visually elegant and ergonomically functional, providing for clear and easy port labeling, a simpler user experience, and a sophisticated appearance in your communications room.





By projecting the cord away from the user and into the patching field, the VisiPatch® 360 System makes the patch cord plug-end more accessible, makes reading the labeling information easy and facilitates future moves, adds and changes.



Due to the increased usable density, the VisiPatch 360 System can be more cost-effective than RJ-45 systems.

Usable density is also maximized in the VisiPatch® 360 System. Patch cord and cable congestion in traditional RJ-45 systems cause usable density to be lower than the actual port density. Not so with the VisiPatch 360 System, which is specifically designed to maximize usable density by minimizing patch cord and cable congestion.

Continuing the technology and performance excellence that CommScope is known for, the VisiPatch 360 System makes possible the first real IDC-based 10G components and channel.

Designed with your needs in mind

What the key VisiPatch 360 System features and benefits mean for you:

Save Time

- Best-in-class transmission performance
- Easy access to patch plug
- Snap-together components
- Clear and simple port labeling

Save Space

- Modular, scalable and flexible
- Unique reverse patching technology
- Integrated horizontal and vertical cable and patch cord management

Save Money

- Increased usable density
- Cost-effective 10G connectivity system
- Lower per port cost than traditional RJ45 applications

Save time, space and money from the inside out

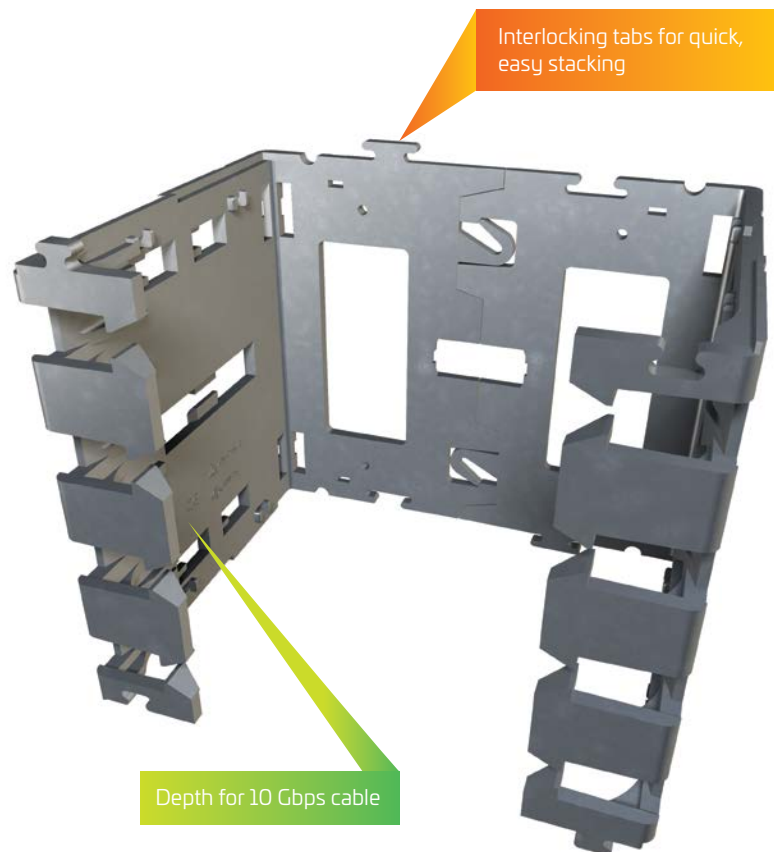
The five key components that make up the VisiPatch® 360 System are carefully designed to work together to create a simple and custom installation. This modular nature of the system also means future expansion is easy and cost-effective.



Back panel

The back panel is made of structural foam and serves as the framework for the system. Careful thought went into making the back panels ergonomically designed to simplify installation as well as future expansion.

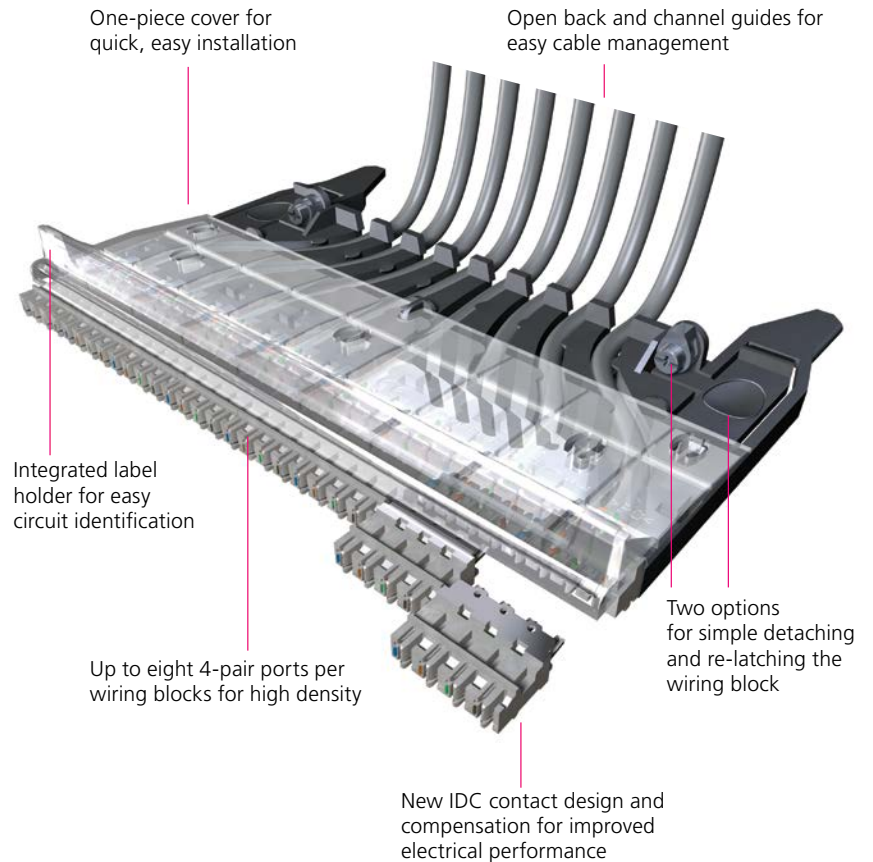
- 7 in (17.78 cm) depth to accommodate 10 Gb/s cable
- Space between the wiring blocks equals to 1U (1RMU)
- Top and bottom guides allow for quick, easy stacking



Wiring block/connecting block

Even the standard wiring block benefited from a complete rethinking. The result was the redesign or addition of several key features that improve performance and ease-of-use.

- Accommodates up to eight 4-pair ports per wiring block for high density
- Eight port count to match server/switch configuration
- Open back and channel guides for easy cable management
- One-touch finger releases for simple detaching and re-latching of the wiring block
- Quarter-turn cam fasteners provide alternative method for detaching the wiring block
- One-piece cover for quick, easy installation
- Patented new IDC contact design and compensation methods, including offset IDCs and parasitic rings, improve electrical performance



Patch cord

One of the most dramatically redesigned elements in the VisiPatch 360 System is the visually striking patch cord. Designed with ergonomics and appearance in mind, the patch cords offer easy access to plug ends.

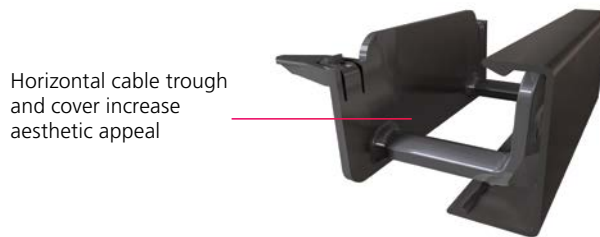
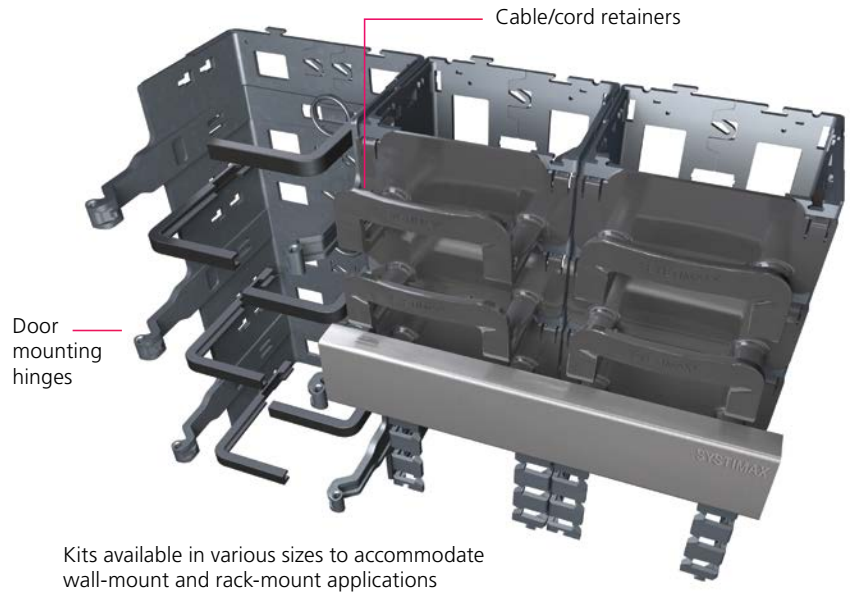
- Compact, ergonomically designed plug is easy to grab and patch
- Clear demarcation of gripping points improves speed and efficiency of patching
- 4-pair and 1-pair patch cords available
- Integrated anti-snap design for frustration-free installation and moves, adds and changes post installation
- Labeling area makes future MACs much simpler
- Accommodates data, analog, digital and power circuits



Cable management

Key to the efficient design and elegant appearance of the VisiPatch 360 System, the innovative cable management system fully integrates robust vertical and horizontal spaces to increase ease-of-use.

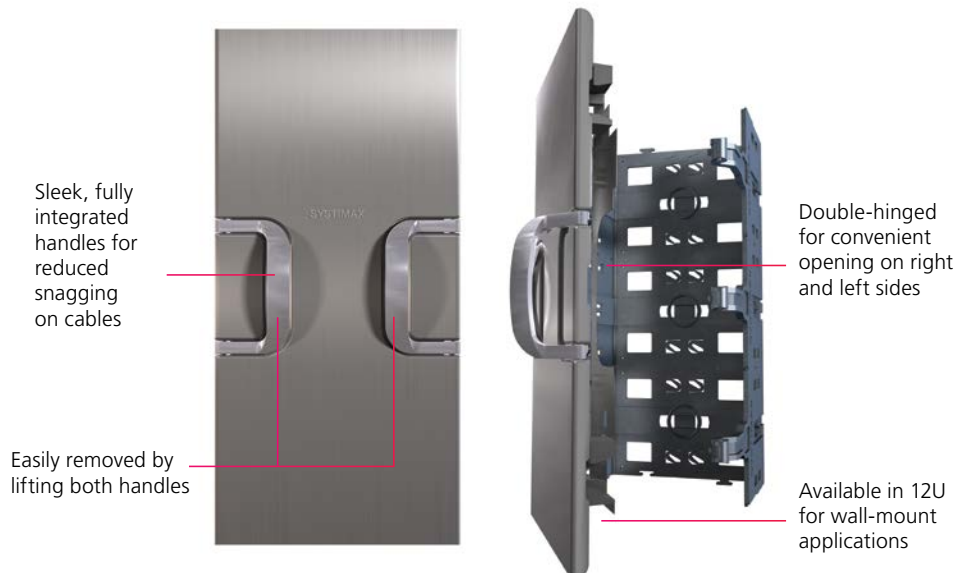
- Spacer module—integral part of the vertical trough cable manager kit—offers easy installation and proper alignment
- Spacer module features 11.5 in (29.21 cm) depth for efficient cable/cord management
- Micro/macro cable/cord retainers available for better cable/cord management in the vertical cable trough
- Modular horizontal cable management trough and cover provide additional spaces for cord management



Vertical trough cover

The vertical cable management is concealed by the vertical trough cover, a beautiful brushed aluminum door that can swing easily to either side, or be removed altogether.

- Double-hinged doors allow for convenient right or left opening without removal or awkward handle rotation
- Door can be easily removed by lifting both handles with a smooth, quiet operation
- Door attaches easily to hinge points thanks to added gather and bullet-nosed hinge pins.
- Ergonomic, sleek and fully-integrated polished handles minimize snagging on clothing or cables
- Available in 12U to accommodate wall-mount applications



Product specifications

| Guaranteed performance specifications for 4-connection GigaSPEED X10D UTP channels ¹ | |
|---|---|
| Electrical parameter | Guaranteed channel margins to amendment ¹ to ISO/IEC 11801:2002 Class E _A (1 - 500 MHz) |
| Insertion loss | 3 % |
| NEXT | 1 dB |
| PSNEXT | 2.5 dB |
| ACR-F | 6 dB |
| PSACR-F | 8 dB |
| Return loss, PSANEXT, PSANEXTavg, PSAACR-F, PSAACR-Favg | > 0 dB |

¹ Insertion Loss margin is calculated based on 12m of 95 series cordage and 88m of 91 series cable plus 4 connections. If the total cord length in a 100m channel has to be greater than 12m, please refer to GigaSPEED X10D Design and Installation Guidelines for the instruction on how to scale cable and cord length properly.

| Guaranteed channel performance specifications for 4-connection GigaSPEED X10D UTP systems | | | | | | | | | | | | | | |
|---|---------------------|---------------|--------------------|----------------|---------------------|-----------|------------|--------------|---------------|------------|---------------|------------------|------------|-----------------|
| Freq (MHz) | Insertion Loss (dB) | PS ANEXT (dB) | Avg. PS ANEXT (dB) | PS AACR-F (dB) | Avg. PS AACR-F (dB) | NEXT (dB) | ACR-N (dB) | PS NEXT (dB) | PS ACR-F (dB) | ACR-F (dB) | PS ACR-F (dB) | Return Loss (dB) | Delay (ns) | Delay Skew (ns) |
| 1.0 | 3.9 | 67.0 | 69.25 | 67.0 | 71.0 | 71.0 | 68.8 | 69.5 | 67.3 | 69.3 | 68.3 | 22.0 | 580 | 40 |
| 4.0 | 4.0 | 67.0 | 69.25 | 65.0 | 69.0 | 69.0 | 65.0 | 68.0 | 64.0 | 57.2 | 56.2 | 22.0 | 562 | 40 |
| 8.0 | 5.6 | 67.0 | 69.25 | 58.9 | 62.9 | 64.2 | 58.6 | 63.1 | 57.5 | 51.2 | 50.2 | 22.0 | 557 | 40 |
| 10.0 | 6.3 | 67.0 | 69.25 | 57.0 | 61.0 | 62.6 | 56.3 | 61.5 | 55.2 | 49.3 | 48.3 | 22.0 | 555 | 40 |
| 16.0 | 7.9 | 67.0 | 69.25 | 52.9 | 56.9 | 59.2 | 51.3 | 58.1 | 50.2 | 45.2 | 44.2 | 18.9 | 553 | 40 |
| 20.0 | 8.9 | 67.0 | 69.25 | 51.0 | 55.0 | 57.6 | 48.7 | 56.5 | 47.6 | 43.2 | 42.2 | 19.0 | 552 | 40 |
| 25.0 | 9.9 | 66.0 | 68.25 | 49.0 | 53.0 | 56.0 | 46.1 | 54.8 | 44.9 | 41.3 | 40.3 | 19.1 | 551 | 40 |
| 31.3 | 11.1 | 65.1 | 67.35 | 47.1 | 51.1 | 54.4 | 43.3 | 53.2 | 42.1 | 39.3 | 38.3 | 19.2 | 550 | 40 |
| 62.5 | 15.9 | 62.0 | 64.25 | 41.1 | 45.1 | 49.4 | 33.5 | 48.1 | 32.2 | 33.3 | 32.3 | 17.0 | 549 | 40 |
| 100.0 | 20.3 | 60.0 | 62.25 | 37.0 | 41.0 | 45.9 | 25.6 | 44.6 | 24.3 | 29.3 | 28.3 | 15.0 | 548 | 40 |
| 200.0 | 29.2 | 55.5 | 57.75 | 31.0 | 35.0 | 40.8 | 11.6 | 39.4 | 10.2 | 23.2 | 22.2 | 12.0 | 547 | 40 |
| 250.0 | 32.9 | 54.0 | 56.25 | 29.0 | 33.0 | 39.1 | 6.2 | 37.7 | 4.8 | 21.3 | 20.3 | 11.0 | 546 | 40 |
| 300.0 | 36.2 | 52.8 | 55.05 | 27.5 | 31.5 | 32.7 | -3.5 | 31.3 | -4.9 | 20.0 | 19.0 | 7.2 | 546 | 40 |
| 400.0 | 42.3 | 51.0 | 53.25 | 25.0 | 29.0 | 30.6 | -11.7 | 29.1 | -13.2 | 17.5 | 16.5 | 6.0 | 546 | 40 |
| 500.0 | 47.8 | 49.5 | 51.75 | 23.0 | 27.0 | 28.9 | -18.9 | 27.3 | -20.5 | 15.5 | 14.5 | 6.0 | 546 | 40 |

Note: The table provides reference values only. All parameters comply with the governing equations given above over the entire frequency range. All values and equations apply to worst-case channels utilizing four-pair 91 series cables with full cross-connects, consolidation points and work area outlets (4 connections in a channel) for the length up to 100 meters.

Select product dimensions

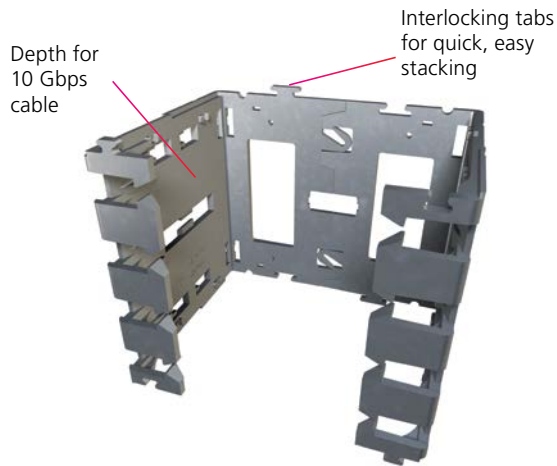
| | Height | Width | Depth |
|--------------------------------------|--------------------|--------------------|--------------------|
| Patch panel kits | | | |
| 4U (32 ports) | 7.1 in (18.03 cm) | 8.5 in (21.59 cm) | 11.3 in (28.7 cm) |
| 12U (96 ports) | 21.2 in (53.84 cm) | 8.5 in (21.59 cm) | 11.3 in (28.7 cm) |
| Cable manager kits - vertical | | | |
| 12U | 21.0 in (53.34 cm) | 10.0 in (25.40 cm) | 11.8 in (29.97 cm) |

Electrical specifications

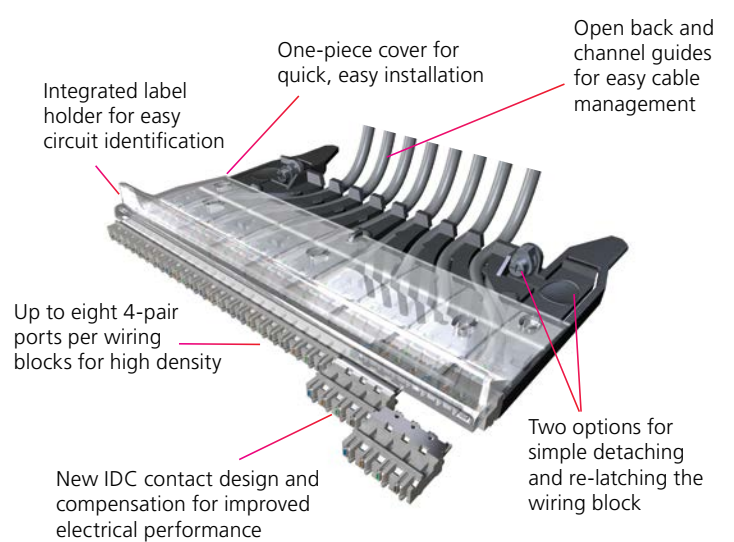
| | |
|----------------------------------|---|
| Insulation Resistance | >1000 MOhms min. |
| Current Rating | 2.0 A @ 20° C (68° F) |
| TIA/EIA:ISO Class E _A | 6A |
| Dielectric Withstand Voltage | 1,000 VAC RMS, 60 Hz minimum, contact-to-contact and 1,500 VAC RMS, 60 Hz minimum to exposed conductive surface |
| Fault Current Test | 7 A for a minimum of 5 seconds |
| UL, cUL, CE, Austel | Listed |

SYSTIMAX® VisiPatch® 360 System

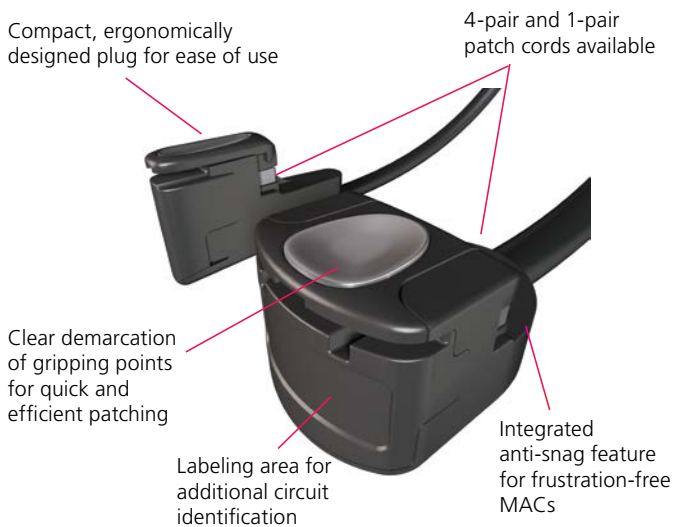
Back panel



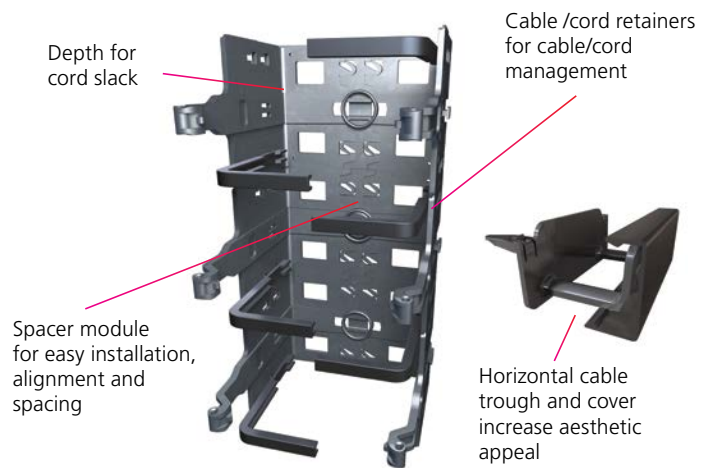
Wiring block/connecting block



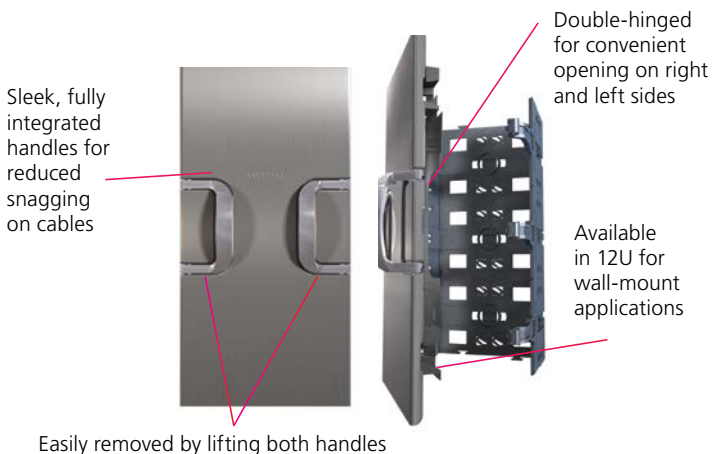
Patch cord



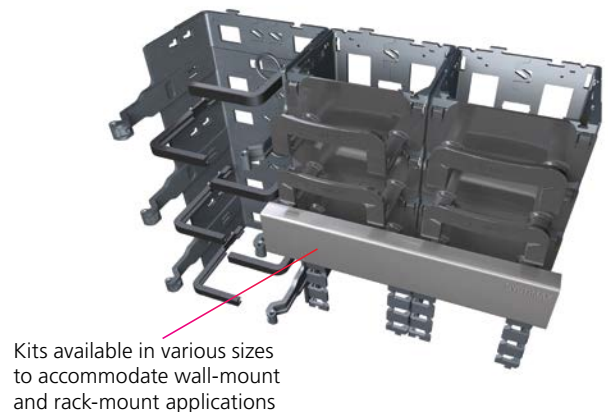
Vertical cable management



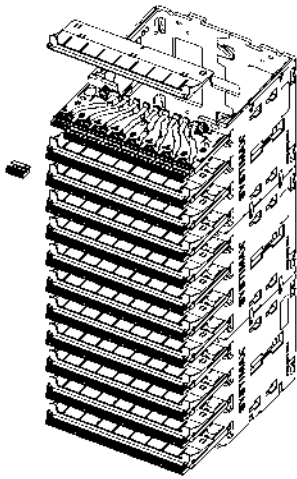
Vertical trough cover



Horizontal cable management



Ordering information



VP360-12U-96P

Patch panel kits

| MID | Product ID | Description | Component description | Qty |
|-----------|----------------|------------------------------------|---|-----------------------------------|
| 760049445 | VP360-4U-32P | VisiPatch® 360 4U (32 ports) Kit | VisiPatch 360 Back Panel 4U VisiPatch 360 Wiring Block VisiPatch 360 Wiring Block Cover VisiPatch 360 Connecting Block VisiPatch Label Holder White Label | 1 4 4 32 4 12 |
| 760049452 | VP360-12U-96P | VisiPatch 360 12U (96 ports) Kit | VisiPatch 360 Back Panel 12U VisiPatch 360 Wiring Block VisiPatch 360 Wiring Block Cover VisiPatch 360 Connecting Block VisiPatch Label Holder White Label | 1 12 12 96 12 12 |
| 760074278 | VP360-19PNL-KT | VisiPatch 360 19-Inch 1U Panel Kit | VisiPatch 360 19-Inch 1U Panel VisiPatch 360 Wiring Block Wiring Block Cover VisiPatch 360 Connecting Block VisiPatch Label Holder White Label Screw, #12-24 x .50" | 1 2 2 16 2 12 4 |

Patch cord

| Material ID | Product number | Description | Jack color options | Cord color options | UOM | Cable/cordage length options |
|---|-------------------------|--|--------------------|-----------------------|-----|------------------------------|
| VisiPatch® 360 System GigaSPEED® X10D patch cord | | | | | | |
| CPCFFX2 | VP360T-VP360T-P8X10D | VisiPatch360-VisiPatch360 X10D 4-pair Solid Cord T | 0 | 1,2,3,4,6,7,8,9,B,C,Z | F,M | 7-100ft / 2-30m |
| CPCFSX2 | VP360T-360GS10E | VisiPatch360-360GS10E X10D 4-pair Solid Hybrid Cord T | 0 | 1,2,3,4,6,7,8,9,B,C,Z | F,M | 7-100ft / 2-30m |
| CPCFSXG | VP360T-360GS10E-A | VisiPatch360-360GS10E X10D 4-pair Solid Hybrid Cord T, A-wired | 0 | 1,2,3,4,6,7,8,9,B,C,Z | F,M | 7-100ft / 2-30m |
| CPCFFXD | VP360T-VP360T-P8X10D-XD | VisiPatch360-VisiPatch360 X10D 4-pair Solid Cord Crossover T | 0 | 1,2,3,4,6,7,8,9,B,C,Z | F,M | 7-100ft / 2-30m |
| CPCFFZ2 | VP360T-VP360T-P8X10D-L | VisiPatch360-VisiPatch360 X10D 4-pair LSZH Solid Cord T | 0 | 1,2,3,4,6,7,8,9,B,C,Z | F,M | 7-100ft / 2-30m |
| CPCFSZ2 | VP360T-360GS10E-L | VisiPatch360-360GS10E-L X10D 4-pair LSZH Solid Hybrid Cord T | 0 | 1,2,3,4,6,7,8,9,B,C,Z | F,M | 7-100ft / 2-30m |

Ordering material ID example: CPCFFX2 - 0 3 F 0 0 7

Patch cord

| Material ID | Product number | Description | Jack color options | Cord color options | UOM | Cable/cordage length options |
|--|--------------------|---|--------------------|-----------------------|-----|------------------------------|
| VisiPatch® 360 System GigaSPEED® Xpress® patch cord | | | | | | |
| CPCFFP2 | VP360-VP360-P8XP | VisiPatch360-VisiPatch360 XP 4-pair Solid Cord | 0 | 1,2,3,4,6,7,8,9,B,C,Z | F,M | 1-100ft / 1-30m |
| CPCFLP2 | VP360-GSXP | VisiPatch360-GSXP XP 4-pair Solid Hybrid Cord | 0 | 1,2,3,4,6,7,8,9,B,C,Z | F,M | 1-100ft / 1-30m |
| CPCFFQ2 | VP360-VP360-P8XP-P | VisiPatch360-VisiPatch360 XP 4-pair Plenum Solid Cord | 0 | 8,Z | F,M | 1-100ft / 1-30m |
| CPCFLQ2 | VP360-GSXP-P | VisiPatch360-GSXP XP 4-pair Solid Hybrid Plenum Cord | 0 | 8,Z | F,M | 1-100ft / 1-30m |
| CPCFFR2 | VP360-VP360-P8XP-L | VisiPatch360-VisiPatch360 XP 4-pair LSZH Solid Cord | 0 | 8 | F,M | 1-100ft / 1-30m |
| CPCFLR2 | VP360-GSXP-L | VisiPatch360-GSXP XP 4-pair Solid Hybrid LSZH Cord | 0 | 8 | F,M | 1-100ft / 1-30m |

Ordering material ID example: CPCFFP2 - 0 3 F 0 0 7

Cord Color Options

| | | |
|---------------------|---------------|--------------|
| 1 Black (BK) | 6 Orange (OR) | B Lilac (LL) |
| 2 Light Blue (LB) | 7 Red (RD) | C Slate (SL) |
| 3 Dark Gray (DG) | 8 White (WH) | Z Blue (BL) |
| 4 Spring Green (GN) | 9 Yellow (YL) | |

Ordering information *continued*

Patch cord

| Material ID | Product number | Description | Jack color options | Cord color options | UOM | Cable/cordage length options |
|---|---------------------|--|--------------------|---------------------|-----|------------------------------|
| VisiPatch® 360 System GigaSPEED® XL patch cord | | | | | | |
| CPCFF12 | VP360-VP360-P8XL | VisiPatch360-VisiPatch360 XL 4-pair Cord | 0 | 1,2,3,4,6,7,8,9,B,Z | F,M | 1-100ft / 1-30m |
| CPCF312 | VP360-GS8E | VisiPatch360-GS8E XL 4-pair Hybrid Cord | 0 | 1,2,3,4,6,7,8,9,B,Z | F,M | 1-100ft / 1-30m |
| CPCFF1D | VP360-VP360-P8XL-XD | VisiPatch360-VisiPatch360 XL 4-pair Cord Crossover | 0 | 1,2,3,4,6,7,8,9,B,Z | F,M | 1-100ft / 1-30m |
| CPCF512 | VP360-VP-P8XL | VisiPatch360-VisiPatch XL 4-pair Cord | 0 | 1,2,3,4,6,7,8,9,B,Z | F,M | 1-100ft / 1-30m |
| CPCFF92 | VP360-VP360-P8XL-L | VisiPatch360-VisiPatch360 XL 4-pair LSZH Cord | 0 | 2,4,6,7,8,9,B,Z | F,M | 1-100ft / 1-30m |
| CPCF392 | VP360-GS8E-L | VisiPatch360-GS8E XL 4-pair LSZH Hybrid Cord | 0 | 2,4,6,7,8,9,B,Z | F,M | 1-100ft / 1-30m |
| CPCF812 | VP360-110-P8XL | VisiPatch360-110 XL 4-pair Hybrid Cord | 0 | 1,2,3,4,6,7,8,9,B,Z | F,M | 1-100ft / 1-30m |

Ordering material ID example: CPCFF12 - 03F007

Patch cord

| Material ID | Product number | Description | Jack color options | Cord color options | UOM | Cable/cordage length options |
|---|------------------|---------------------------------------|--------------------|--------------------|-----|------------------------------|
| VisiPatch® 360 1-pair patch cord | | | | | | |
| CPCFF62 | VP360-VP360-P2PS | VisiPatch360-VisiPatch360 1-pair Cord | 0 | 3 | F,M | 1-100ft / 1-30m |
| CPCF562 | VP360-VP-P2PS | VisiPatch360-VisiPatch 1-pair Cord | 0 | 3 | F,M | 1-100ft / 1-30m |
| CPCF862 | VP360-110-P2PS | VisiPatch360-110 1-pair Cord | 0 | 3 | F,M | 1-100ft / 1-30m |
| CPCF662 | VP360-D8PS-P2PS | VisiPatch360-D8PS 1-pair Cord | 0 | 3 | F,M | 1-100ft / 1-30m |

Ordering material ID example: CPCFF62 - 03F007



VP360T-VP360T-P8X10D

VP360-VP360-P2PS

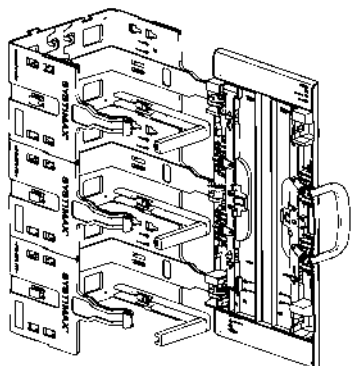
VP360T-360GS10E

VP360-VP360-P8XL

VP360-GS8E

Recommended label sizes for patch cord plugs are:

- 3/8" H x 7/8" W for 4-pair
- 1/2" H x 1/4" W for 1-pair



VP360-12U-10VTCM

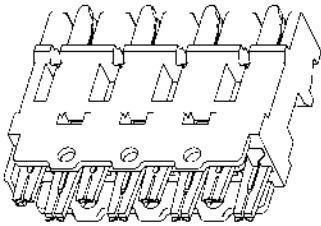
Cable manager kits—vertical

| MID | Product ID | Description | Component description | Qty |
|-----------|------------------|---|----------------------------------|-----|
| 760060285 | VP360-12U-10VTCM | VisiPatch 360 12U Vertical Trough Cable Mgr Kit e/w Door, 10" | VisiPatch 360 12U VTCM Door, 10" | 1 |
| | | | 4U Spacer Module | 3 |
| | | | 4U Spacer Module Extender | 3 |
| | | | Macro Cable/Cord Retainer | 3 |

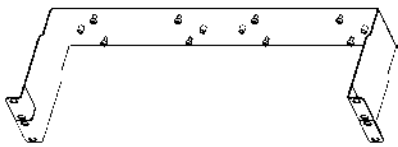
Cable manager kits—horizontal

| MID | Product ID | Description | Component description | Qty |
|-----------|-----------------------|--|--|-------------|
| 760060343 | VP360-HCM-Kit-19 | VisiPatch 360 Horizontal Cable Mgr Kit, 19" | 4U Back Panel Base Horizontal CM Trough Horizontal Trough Cover, 19" | 1 2 2 |
| 760060301 | VP360-HCM-Kit-27 | VisiPatch 360 Horizontal Cable Mgr Kit, 27" | 4U Back Panel Base Horizontal CM Trough Horizontal Trough Cover, 27" | 2 4 2 |
| 760060863 | VP360-HCM-Kit-29 | VisiPatch 360 Horizontal Cable Mgr Kit, 29" | 4U Back Panel Base Horizontal CM Trough Horizontal Trough Cover, 29" | 1 2 2 |
| 760060871 | VP360-HCM-Kit-37 | VisiPatch 360 Horizontal Cable Mgr Kit, 37" | 4U Back Panel Base Horizontal CM Trough Horizontal Trough Cover, 37" | 2 4 2 |
| 760068106 | VP360-HCM-Kit-19 Rack | VisiPatch 360 Horizontal Rack Mount Cable Mgr Kit, 19" | 4U Back Panel Base Horizontal CM Trough Horizontal Trough Cover, 19" | 2 4 2 |

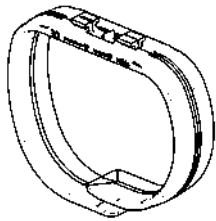
Ordering information *continued*



VP360-CB-10



VP360-RMBKT



VP360-CBF-SK



VP360-914-BIT-E



VP360-788-HEAD

Accessories

| MID | Product ID | Description | Component description | Qty |
|-----------|-----------------------|--|--|------------------------------|
| 760060277 | VP360-CB-10 | VisiPatch 360 Connecting Block, 10/pk | VisiPatch 360 Connecting Block | 10 |
| 760060251 | VP360-4U-BPK | VisiPatch 360 4U Back Panel Kit | VisiPatch 360 Back Panel 4U Metal Clip | 2 12 |
| 760060327 | VP360-2U-RMBKT | VisiPatch 360 19" Rack Mount Bracket | 19" Rack Mounting Bracket | 1 |
| 760060335 | VP360-CBF-SK | VisiPatch 360 Cable Bundle Fastener Kit, Small | Micro Cable/Cord Retainer | 4 |
| 760074286 | VP360-32PR-WB | VisiPatch 360 Wiring Block Kit | VisiPatch 360 Wiring Block Index Strip Wiring Block Cover VisiPatch 360 Connecting Block VisiPatch Label Holder White Label | 2 2 2 16 2 12 |
| 760080630 | VP360-SIDEPNL | VisiPatch 360 Side Panel | VisiPatch 360 Side Panel | 3 |
| 760074294 | VP360-19PNL | VisiPatch 360 19-Inch 1U Panel | VisiPatch 360 19-Inch 1U Panel Screw, #12-24 x .50" | 1 4 |
| 760060269 | VP360-12U-Door-10 | VisiPatch 360 12U Door, 10 in. wide | | 1 |
| 760072488 | VP-Label | VisiPatch 360 4 Pair Cord Label | | 5 (260 labels/ sheet) |
| 760130104 | VP360-8FILLERPLUG-KIT | VisiPatch 360 4-Pair Filler Plug Kit, 8/pk | Component Desc: 8 GigaSPEED X10D 4-Pair VisiPatch 360 Filler Plugs Without Metal Contacts | 8 |
| 108528407 | 110YG3-2688L | Yellow Label | | 96 |
| 108528415 | 110WG3-2688L | White Label | | 96 |
| 108528423 | 110SG3-2688L | Slate Label | | 96 |
| 108528431 | 110RG3-2688L | Red Label | | 96 |
| 108528449 | 110PG3-2688L | Purple Label | | 96 |
| 108528456 | 110GG3-2688L | Green Label | | 96 |
| 108528597 | 110CG3-2688L | Orange Label | | 96 |
| 108528464 | 110BG3-2688L | Blue Label | | 96 |
| 108528472 | 110KG3-2688L | Brown Label | | 96 |

Tool kits

| MID | Product ID | Description | Component description | Qty |
|-----------|-----------------|--|-------------------------------|-----|
| 760060350 | VP360-788-HEAD | VisiPatch 360 4-pair Head for 788 Tool | 4-pair Block Punch Down Block | 1 |
| 760142463 | VP360-914-BIT-E | VisiPatch 360 1-Pair Tool Bit | 1-pair Punch Down Bit | 1 |
| 407484971 | TOOL-D914 | D-914 Impact Tool Handle | Impact Tool Handle | 1 |
| 108062043 | TOOL-788H1 | 788H1 Impact Tool Handle | Impact Tool Handle | 1 |

CommScope pushes the boundaries of communications technology with game-changing ideas and ground-breaking discoveries that spark profound human achievement. We collaborate with our customers and partners to design, create and build the world's most advanced networks. It is our passion and commitment to identify the next opportunity and realize a better tomorrow. Discover more at commscope.com

COMMSCOPE®

commscope.com

Visit our website or contact your local CommScope representative for more information.

© 2018 CommScope, Inc. All rights reserved.

Unless otherwise noted, all trademarks identified by ® or ™ are registered trademarks, respectively, of CommScope, Inc. This document is for planning purposes only and is not intended to modify or supplement any specifications or warranties relating to CommScope products or services. CommScope is committed to the highest standards of business integrity and environmental sustainability with a number of CommScope's facilities across the globe certified in accordance with international standards, including ISO 9001, TL 9000, and ISO 14001. Further information regarding CommScope's commitment can be found at www.commscope.com/About-Us/Corporate-Responsibility-and-Sustainability.

BR-113148-EN (10/18)